



INSTRUCTION MANUAL

The Apex[®]

Model CR9000

ATTENTION!!
WHEN YOU SEE A "▲ WARNING!" BE SURE TO HEED THE MESSAGE!
THE INFORMATION CONTAINED IN THESE MESSAGES
CAN SAVE YOUR LIFE!!

PLEASE NOTE THAT ▲ WARNING! statements have been placed throughout this Instruction Manual. These statements point out important safety information and instructions, which, if not followed could endanger the personal safety and/or property of the operator. It is imperative that the operator of this product, or any other product(s) read and follow all the instructions and warnings contained in this Manual prior to attempting to use this product(s), or any other product(s). Failure to comply with these instructions and/or warnings may result in serious personal injury or death!



This Instruction Manual complies with the Treestand Manufacturers Association's TMS 04 - *Standard Practice for Treestand Instructions* and TMS 02 - *Standard Test Method for Treestand Fall Arrest Systems*

PO Box 382 • Windom, MN 56101
(800) 268-5077 • 507-831-4350

www.BigGameTreestands.com

August 2014. Published by BGHA, Inc., Windom, Minnesota.
© 2014 BGHA, Inc. All rights reserved.

**ATTENTION!! WHEN YOU SEE A "⚠ WARNING!" BE SURE TO HEED THE MESSAGE!
THE INFORMATION CONTAINED IN THESE MESSAGES CAN SAVE YOUR LIFE!!**

TRIPOD USAGE INSTRUCTIONS & WARNINGS

CR9000 • THE APEX

MAX. OCCUPANCY - One (1)

CARRYING CAPACITY (USER(S) AND EQUIPMENT) 300 lbs/136 kg

⚠ WARNING! This Big Game® product carries strict weight restrictions. DO NOT use this product if you exceed these total weight limitations. Please note that these weight limitations include the user(s) and their equipment. Failure to follow these instructions may result in serious injury or death!

A "Treestand Safety" dvd has been included. Please view it in its entirety prior to using this product!

Thank you for your purchase of this quality Big Game® Treestands product. To ensure your personal safety, please take a moment to carefully read this Instruction Manual in its entirety before attempting to set-up, install, remove and/or otherwise use this Big Game® Treestands product(s). Failure to follow these instructions may result in serious injury or death!

Shall you have any questions about the installation, removal, and/or use of this product, or any other Big Game® Treestands product(s) do not hesitate to call one of our customer service representatives toll free at (800) 268-5077 or visit us online at www.BigGameTreestands.com. Our customer service representatives will answer any questions you may have about any of the complete line of Big Game® Treestands products.

Do not return this product to the retailer if you have any damaged or missing parts. Call Big Game® Treestands for replacement of any damaged or missing parts toll free at (800) 268-5077. Please have the batch/serial number ready (find your batch number on a riveted metal tag affixed to your product) before calling to better assist you.

PLEASE NOTE THAT WARNING! statements have been placed throughout this Instruction Manual. These statements point out important safety information and instructions, which, if not followed could endanger the personal safety and/or property of the operator(s). It is imperative that the operator(s) of this product, or any other Big Game® product(s) read and follow all the instructions and warnings contained in this Instruction Manual prior to attempting to use this Big Game® product(s), or any other Big Game® product(s). Failure to comply with these instructions and/or warnings may result in serious personal injury or death!

⚠ WARNING! Failure to read and strictly comply with the instructions contained in this Instruction Manual may result in serious injury or death!

⚠ WARNING! FALLS FROM A FREESTANDING PLATFORM TREESTAND CAN OCCUR ANYTIME AFTER LEAVING THE GROUND. THESE FALLS MAY RESULT IN SERIOUS INJURY OR DEATH! FOR YOUR PERSONAL SAFETY, PLEASE TAKE A MOMENT TO CAREFULLY READ THIS PRODUCT(S) INSTRUCTION MANUAL IN ITS ENTIRETY BEFORE ATTEMPTING TO ASSEMBLE, SET-UP, INSTALL, REMOVE, AND/OR OTHERWISE USE THIS BIG GAME® PRODUCT(S). AT LEAST ANNUALLY, REVIEW THE CONTENTS OF THIS INSTRUCTION MANUAL. ADDITIONALLY, KEEP THESE INSTRUCTIONS FOR THE ENTIRE DURATION THAT YOU OWN THIS PRODUCT(S). FAILURE TO FOLLOW THESE INSTRUCTIONS MAY RESULT IN SERIOUS INJURY OR DEATH!

⚠ WARNING! THE SAFE USE AND OPERATION OF THIS PRODUCT(S) IS THE SOLE RESPONSIBILITY OF THE USER. IT IS ALSO THE SOLE RESPONSIBILITY OF THE OWNER TO PROVIDE ANY PERSON(S) WHO BORROW OR PURCHASE THIS PRODUCT(S) WITH THIS INSTRUCTION MANUAL. FAILURE TO FOLLOW THESE INSTRUCTIONS MAY RESULT IN SERIOUS INJURY OR DEATH! ADDITIONALLY, FAILURE TO FOLLOW THIS WARNING MAY SUBJECT YOU TO PERSONAL LIABILITY PENALTIES AS DETERMINED BY THE U.S. JUDICIAL SYSTEM.

⚠ WARNING! Several Big Game® freestanding platform treestands are equipped with a footrest, armrests, backrest, and/or shooting rail. Neither the footrest, armrests, backrest nor the shooting rail have been designed to support the users weight. Under no circumstances should you place any more than fifteen (15) pounds (7 kg) of weight on these structures. Doing so will put the user in serious risk of injury or death. Failure to follow these instructions may result in serious or death!

⚠ WARNING! DO NOT use this or any other Big Game® product(s) if you have a history of heart problems, back problems, impaired vision, joints that lock-up, spinal fusions, equilibrium problems, high blood pressure, are not well-rested and/or any other physical impairment that may limit your ability to use and/or operate this product(s) in the safe manner outlined in this Instruction Manual. Additionally, do not use this or any other Big Game® product(s) if you are currently taking medication (including prescription) and/or using and/or consuming any substance, including alcohol, that may limit your ability to use this Big Game® product(s) as outlined and described in the Instruction Manual. Never use a freestanding platform treestand when feeling ill, nauseous or dizzy. Failure to follow these instructions may result in serious injury or death!

⚠ WARNING! Do not remove, modify and/or omit any portion or otherwise mechanically modify this product(s) or its assemblies in any manner. Modification, misuse and/or part substitution shall immediately void your factory warranty and may result in serious injury or death! If you suspect that a part(s) is missing and/or defective, immediately contact Big Game® at (800) 268-5077 for replacement of missing or defective parts, please have the batch/serial number ready (find your batch number on a riveted metal tag affixed to your product) before calling to better assist you. **ALWAYS USE GENUINE FACTORY AUTHORIZED REPLACEMENT PARTS. USE OF ANY REPLACEMENT PARTS OTHER THAN GENUINE PARTS VOIDS YOUR WARRANTY AND MAY RESULT IN SERIOUS INJURY OR DEATH!**

⚠ WARNING! Prior to each hunt, you must inform someone of your hunting location and the expected duration of your hunt. Failure to follow these instructions may result in serious injury or death!

⚠ WARNING! Prior to each hunt, make sure that you have a signaling device (e.g., mobile phone, radio, whistle, signal flare or Personal Locator Device (PLD)) in your possession and in an operable condition. This device must be within easy access should you experience the need to contact emergency assistance. Failure to follow these instructions may result in serious injury or death!

⚠ WARNING! This product(s) is designed for adult use only. No one under the age of 16 should attempt to use this or any other product(s) without direct adult supervision. Failure to follow these instructions may result in serious injury or death!

⚠ WARNING! Prior to attempting to use this or any other Big Game® product(s) you must take a moment and become familiar with its assembly, setup, installation, use, and removal. You must practice installing, setting up, using and removal of this product(s) at ground-level prior to attempting to use it at heights above ground-level. Once you have become thoroughly knowledgeable and comfortable with this Big Game® product(s) setup, installation, use, and removal at ground-level, you are now ready to use it at heights above ground-level. Failure to follow these instructions may result in serious injury or death!

⚠ WARNING! NEVER hunt out of a freestanding platform treestand at heights at which you are not completely comfortable. Depending on the hunting conditions, choose the minimum hunting height that allows for safe, effective hunting. Failure to follow these instructions may result in serious injury or death!

⚠ WARNING! Strict weight limitations have been set for each product(s) to ensure your personal safety. Note the weight limitations and maximum occupancy for your Big Game® product(s). This weight limit includes the user(s) and equipment. **NEVER EXCEED THESE WEIGHT LIMITATIONS!** Failure to follow these instructions may result in serious injury or death!

⚠ WARNING! DO NOT attempt to use this or any other Big Game® product(s) when ice, snow, and/or freezing rain has deposited or formed on any portion of the stand you intend to climb. Do not attempt to use this or any other Big Game® product(s) when thunderstorms are threatening and/or present within five (5) miles (8 km). Do not attempt to use this or any other product(s) when any other adverse weather condition(s) presents itself. These include, but are not limited to, weather condition(s) which have the potential for producing winds, lightning, rain, snow, sleet and/or any other atmospheric condition which may limit the user's ability to operate this Big Game® product(s) in a safe manner as described in this Instruction Manual. Shall inclement weather conditions arise during your use of this Big Game® product(s), return to the ground immediately and seek proper man-made shelter. Failure to follow these instructions may result in serious injury or death!

**ATTENTION!! WHEN YOU SEE A "⚠ WARNING!" BE SURE TO HEED THE MESSAGE!
THE INFORMATION CONTAINED IN THESE MESSAGES CAN SAVE YOUR LIFE!!**

⚠ WARNING! Never attempt to climb up or climb down with a weapon and/or gear in your possession. **ALWAYS** unload your weapon and pull it up to hunting height using a tether or pull up rope. **ALWAYS** lower your unloaded weapon down to the ground prior (when raising or lowering firearms, the chamber must be open and the barrel pointing downward toward the ground) to attempting to climb down. Use this same method when raising or lowering all other gear. Failure to follow these instructions may result in serious injury or death!

⚠ WARNING! Thoroughly inspect this product or any other Big Game® product(s) (and its components) prior to each use for signs of wear, rot, corrosion, cracks, deterioration and/or any other type of defect(s). **DO NOT** expose your freestanding platform treestand to extended exposure to direct sunlight, excessive heat or freezing temperature. Do not use your freestanding platform treestand or any other product(s) if they show evidence of wear, rot, corrosion, cracks, deterioration and/or any other type of defect(s). Failure to follow these instructions may result in serious injury or death!

⚠ WARNING! Never jump or bounce on a freestanding platform treestand seat. Failure to follow these instructions may result in serious injury or death!

⚠ WARNING! Always wear the appropriate foot wear when using a freestanding platform treestand. A good non-slip safety boot is important to your personal safety. Be especially careful that boot laces do not get hooked on the freestanding platform treestand or any of its components (tuck shoelaces into boot before climbing). Failure to follow these instructions may result in serious injury or death!

⚠ WARNING! DO NOT modify, fix/repair, alter, bend, cut, weld, or heat the freestanding platform treestand in any way. Additionally, do not attach anything to your freestanding platform treestand without explicit authorized and written instructions from the manufacturer. Failure to follow these instructions will void your warranty and may result in serious injury or death!

⚠ WARNING! Replace any damaged or worn parts with original parts. Never store a freestanding platform treestand or any of its components outdoors when not in use. To purchase genuine factory parts contact Big Game® toll free at (800) 268-5077 or www.BigGameTreestands.com, please have the batch/serial number ready (find your batch number on a riveted metal tag affixed to your product) before calling to better assist you. Failure to follow these instructions may result in serious injury or death!

⚠ WARNING! DO NOT erect this Big Game® product(s) around power generation (transformers, generators, substations, etc.) and/or power transmission equipment (power lines). Failure to follow these instructions may result in serious injury or death!

⚠ WARNING! Do not attempt to make adjustments to this product(s) while in the stand. All adjustments must be made with the entire stand on the ground. Failure to follow these instructions may result in serious injury or death!

⚠ WARNING! Check the ground under your freestanding platform treestand to make sure it is firm and level. Sloping ground or uneven surfaces can cause your stand to tilt or shift as you climb. Do not use this stand when high winds are present or forecast. Failure to follow these instructions may result in serious injury or death!

⚠ WARNING! Never attempt to hunt from an unlevel platform. Additionally, never attempt to level your freestanding platform treestand at heights above the ground. If you find that your platform is unlevel, canted, angled awkwardly upward or downward, or in any configuration other than level, readjust your freestanding platform treestand as necessary to alleviate this awkward angle. Failure to follow these instructions may result in serious injury or death!

⚠ WARNING! BEFORE each use, make sure all nuts and bolts are secure. **CHECK** all hardware and webbing prior to every use to make sure that no damage has occurred to hardware and that webbing is not cut or frayed. Keep webbing from coming into contact with any sharp objects. **DO NOT USE THIS PRODUCT(S) IF ANY DAMAGE IS SUSPECTED.** Failure to follow these instructions may result in serious injury or death!

⚠ WARNING! Prior to climbing, make sure all legs, ladder or supporting sections are firmly connected and locked. Make certain that none of the sections have come loose or separated. If they are, **DO NOT USE THIS PRODUCT(S).** With the help of two (2) other adults (three (3) total) lower the stand back down to the ground and reconnect the sections as appropriate. Failure to follow these instructions may result in serious injury or death!

⚠ WARNING! ALWAYS maintain three-point contact when climbing up or down. Proper three-point contact means having either two feet with one hand or one foot with two hands on the step portion of the climbing aids at all times when climbing up or down. Failure to follow these instructions may result in serious injury or death!

⚠ WARNING! ALWAYS lean forward as you climb the freestanding platform treestand. Failure to follow these instructions may result in serious injury or death!

Shall you have any questions about the assembly, installation or use of this product, or any other product, please do not hesitate to call one of our customer service representatives at (800) 268-5077 and they will answer all questions you may have about any of the complete line of products, or visit www.BigGameTreestands.com. Please have the batch/serial number ready (find your batch number on a riveted metal tag affixed to your product) before calling to better assist you.

READ THIS MANUAL IN ITS ENTIRETY PRIOR TO USING THIS PRODUCT.

ATTENTION!! WHEN YOU SEE A "⚠ WARNING!" BE SURE TO HEED THE MESSAGE! THE INFORMATION CONTAINED IN THESE MESSAGES CAN SAVE YOUR LIFE!!

CR9000 THE APEX® TRIPOD

⚠ WARNING! Read all assembly, field assembly and safety instructions prior to using this product! Failure to follow the instructions on pages 2-9 may result in serious injury or death!

⚠ WARNING! DO NOT over tighten the hardware. Over tightening can lead to structural damage and may negatively affect the performance of your stand. Failure to follow these instructions may result in serious injury or death!

Refer to pages 8-9, **Field Installation**, for installation instructions.

NOTE: Most STEPS require that you temporarily finger tighten nuts and bolts to ensure proper alignment. All bolts shall be inserted through the outside of the tripod and secured with a nylock nut on the inside.

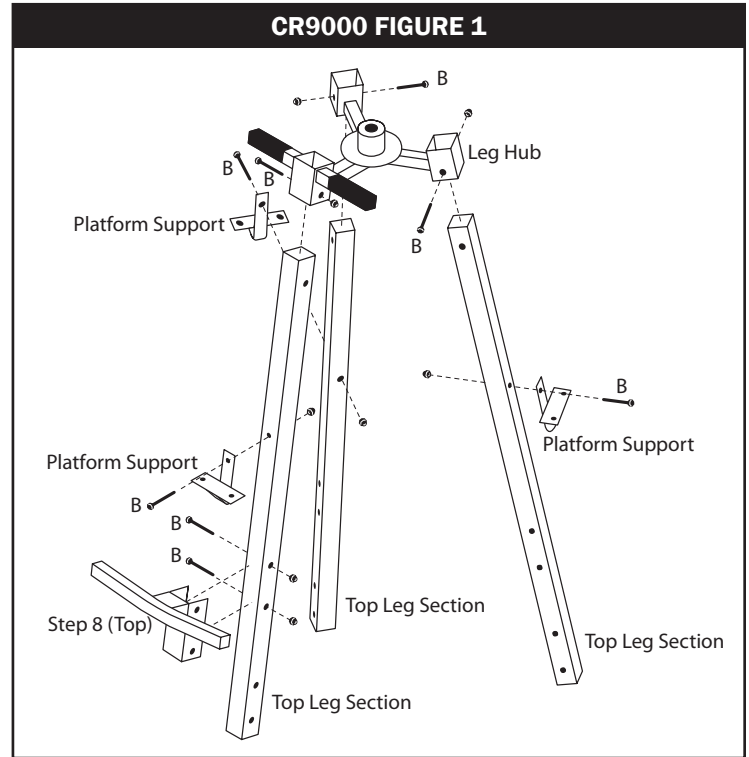
STEP 1. Slide the (3) **top leg sections** into the sleeves in the **leg hub**. Secure with (3) 5/16" x 2 1/4" hex bolts [B] and (3) 5/16" nylock nuts. **NOTE:** The top end of the leg has only one predrilled hole (Fig. 1).

STEP 2. Attach (3) **platform supports** to the outside of the **top legs** in the first predrilled hole from top. The supports shall form an "L" shape against the stand. Secure with (3) 5/16" x 2 1/4" hex bolts [B] and (3) 5/16" nylock nuts (Fig. 1).

STEP 3. Attach **step 8** to the **top leg** that has the hand grip of the **leg hub** at the top. Secure using (2) 5/16" x 2 1/4" hex bolts [B] and (2) 5/16" nylock nuts. **NOTE:** Step 8 is the step with a small extension that sticks out from the leg (Fig. 1).

STEP 4. Attach the (3) **platform sections** to the **platform supports** using (6) 5/16" x 1 3/4" hex bolts [A] and (6) 5/16" nylock nuts (Fig. 2).

STEP 5. Attach the (3) **platform connectors** to the **platform sections**. Secure with (6) 5/16" x 1 3/4" hex bolts [A] and (6) 5/16" nylock nuts. **Securely tighten every nut and bolt** (Fig. 2).



STEP 6. Attach **seat frame hub** to the **leg hub**. The 4" nylon washer shall be placed between the two hubs. Insert the (1) 1/2" x 5" hex bolt [C] from the top and secure with (1) 1/2" nylock nut underneath. **NOTE:** The seat frame shall angle upward (Fig. 2).

CR9000 SPECS	Max. Weight Capacity (User and Equipment)	Maximum Occupancy	Tools Required for Assembly
		300 lbs/136 kg	ONE (1)

Parts List (CR9000)					
Part #	Description	Qty	Part #	Description	Qty
UP10-0082	Middle Leg	6	UP10-0097	Platform Connector	3
UP10-0083	Top Leg	3	UP10-0098	Platform Support	3
UP10-0084	Bottom Leg	3	UP10-0099	Left Rail Support	1
UP10-0045	Standard Step	5	UP10-0100	Right Rail Support	1
UP10-0085	Step 3	1	UP10-0080	Armrest Cover	2
UP10-0086	Step 6	1	UP10-0102	Front Rail Cover	1
UP10-0087	Step 8	1	UP10-0103	Rear Rail Cover	2
UP10-0088	X-Support	6		Instruction Manual	1
UP10-0089	Platform Section	3		Hardware Pack	
UP10-0090	Leg Hub	1	UP77-0039	[A] 5/16" x 1 3/4" Hex Bolt	22
UP10-0091	Seat Frame Hub	1	UP77-0044	[B] 5/16" x 2 1/4" Hex Bolt	38
UP10-0092	Armrest	2	UP77-0059	[C] 1/2" x 5" Hex Bolt	1
UP10-0093	Front Rail	1	UP77-0036	[D] 5/16" x 1 1/4" Hex Bolt	12
UP10-0094	Rear Rail	1	UP77-0029	5/16" Nylock Nut	72
UP10-0095	Seat Cushion	1	UP77-0055	1/2" Nylock Nut	1
UP10-0096	Seat Cushion Support	1	UP77-0065	Snap Pin	2
UP10-0059	X-Support Bracket	4	UP77-0064	4" Nylon Washer	1

4 READ THIS MANUAL IN ITS ENTIRETY PRIOR TO USING THIS PRODUCT.

This instruction manual complies with the Treestand Manufacturers Association's TMS 04 - Standard Practice for Treestand Instructions and TMS 02 - Standard Test Method for Treestand Fall Arrest Systems.

ATTENTION!! WHEN YOU SEE A "⚠ WARNING!" BE SURE TO HEED THE MESSAGE! THE INFORMATION CONTAINED IN THESE MESSAGES CAN SAVE YOUR LIFE!!

STEP 7. Attach the **armrest** to the brace on the top edge of the **seat frame hub**. Secure with (2) 5/16" x 1 3/4" hex bolts [A] and (2) 5/16" nylock nuts. **NOTE:** The open end of the armrest shall be to the back and pointing up. **The back of the hub is the side that forms a "V".** Repeat on opposite side with second armrest (Fig. 2).

STEP 8. Attach the **left rail support** to the **left armrest**. The support shall bend up and forward. Secure with (1) 5/16" x 1 3/4" hex bolts [A] and (1) 5/16" nylock nut. Repeat on opposite side with the **right rail support** (Fig. 2).

STEP 9. Attach the **rear rail** to the **rail supports** and **armrests**. Secure with (4) 5/16" x 1 3/4" hex bolts [A] and (4) 5/16" nylock nuts. **NOTE:** The rear rail shall be to the outside of the armrests (Fig. 2).

STEP 10. Attach the **front rail** to the **rear rail** using (2) snap pins. **NOTE:** The tabs on the front rail shall be on the top (Fig. 2).

STEP 11. SECURELY TIGHTEN EVERY NUT AND BOLT.

STEP 12. Attach the **seat cushion support** around the bar in front of the **rear rail** and the **armrests** and secure with the 8 snap buckles. **NOTE:** The square opening shall be in the backrest (Fig. 2).

STEP 13. Attach the **padded camo covers** to the rails and armrests. Use velcro to secure. Then attach the **seat cushion** by putting the strap through the opening in the back of the **seat cushion support**. Secure with the snap buckle (Fig. 2A).

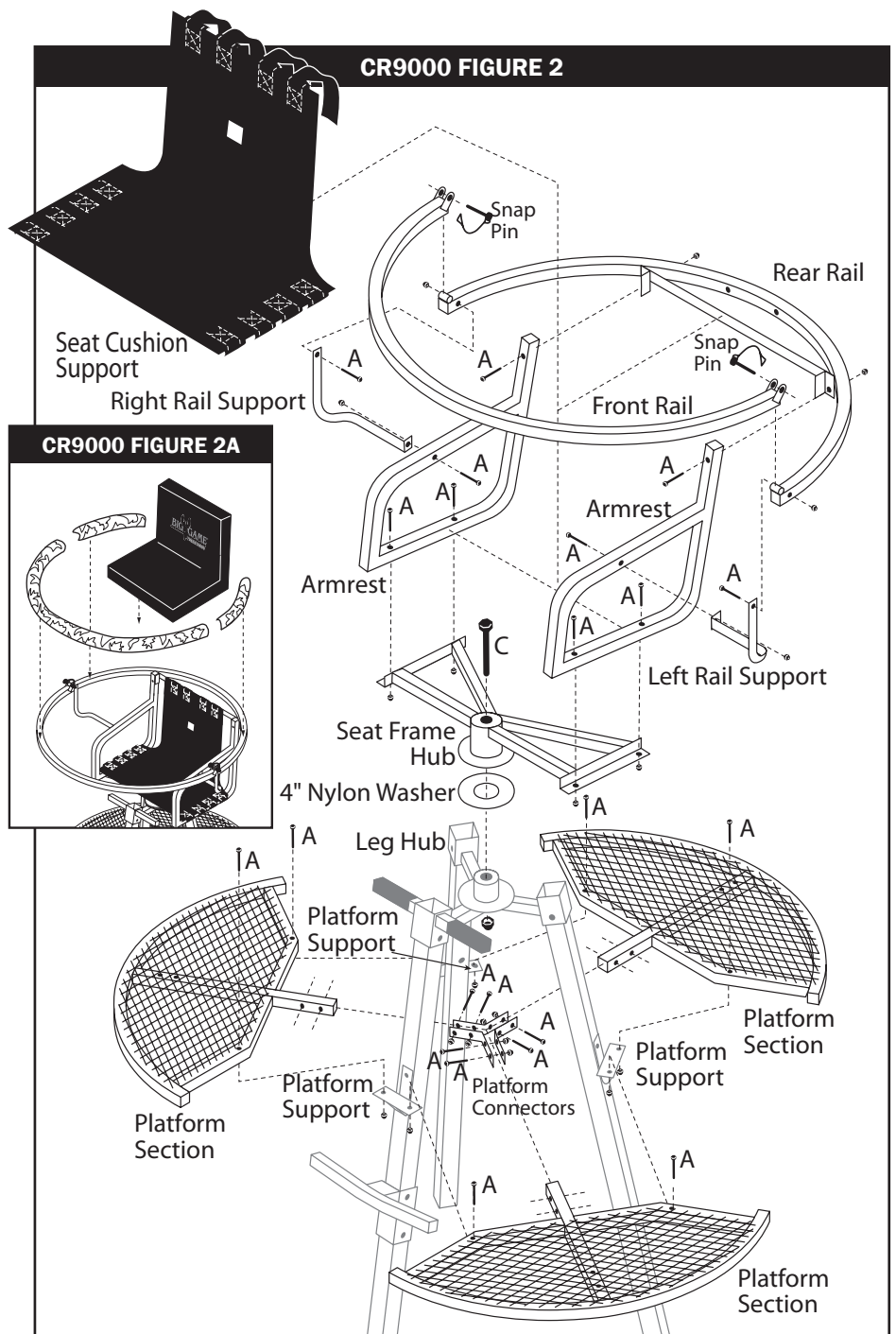
ASSEMBLE THE LEGS

STEP 1. Slide **Step 3** and **Step 6** onto two **middle legs**. **Step 3** shall have an upward pointing bracket on the back. **Step 6** shall have a downward pointing bracket on the back (Fig. 3A). Slide together the (2) **middle legs** and a **bottom leg**. **NOTE:** The bottom leg can be adjusted to achieve desired height.

STEP 2. Attach steps to the leg; the 1st and 4th **steps** will secure the leg sections together. **NOTE:** The 7th **step** will not be installed until connecting the legs to the platform. All steps shall be installed so that they are pointing upward and shall be on the same side of the leg as the anchor support on the bottom. Secure the first 6 steps to the legs using (12) 5/16" x 2 1/4" hex bolts [B] and (12) 5/16" nylock nuts (Fig. 3).

STEP 3. Assemble the remaining legs by sliding the **bottom leg** and (2) **middle legs** together. Secure each section together with (4) 5/16" x 2 1/4" hex bolts [B] and (4) 5/16" nylock nuts (Fig. 3). **NOTE:** The bottom leg is adjustable for level installation on uneven ground.

STEP 4. Attach an **X-support bracket** to the second predrilled hole from the top of the first middle leg section. The top bracket shall point down and curve away from the leg and the bottom bracket shall point up and curve away from the leg. Secure using (1) 5/16" x 2 1/4" hex bolt [B] and (1) 5/16" nylock nut. Attach a second **X-support bracket** to the second predrilled hole from the top of the second middle leg section.



Secure using (1) 5/16" x 2 1/4" hex bolt [B] and (1) 5/16" nylock nut (Fig. 3). Assemble both non-step bearing legs with brackets. **NOTE:** Do not tighten nuts and bolts.

ASSEMBLE TRIPOD

STEP 1. Lay platform on its back. Slide the assembled legs into the **top legs**. **NOTE:** The leg with the steps shall slide into the top leg with the step and handgrip. The **7th step** shall also be attached to this leg at this time. Secure the step and legs with (2) 5/16" x 2 1/4" hex bolts [B] and (2) 5/16" nylock nuts. **NOTE:** Make sure the anchor supports on the bottoms are all pointing outward (Fig. 3).

...instructions continued on page 6

READ THIS MANUAL IN ITS ENTIRETY PRIOR TO USING THIS PRODUCT.

ATTENTION!! WHEN YOU SEE A "⚠ WARNING!" BE SURE TO HEED THE MESSAGE! THE INFORMATION CONTAINED IN THESE MESSAGES CAN SAVE YOUR LIFE!!

STEP 2. Attach the **X-supports** by securing one to each top bracket using (6) 5/16" x 1 1/4" hex bolts [D] and (6) 5/16" nylock nuts. Then, connect the **X-supports** to the brackets at the bottom and secure using (6) 5/16" x 1 1/4" hex bolts [D] and (6) 5/16" nylock nuts (Fig. 4). **NOTE:** X-supports shall form a "V" shape and be intertwined. Also, **X-supports** shall be secured to the concave side of the bracket for a proper fit (Fig. 4A).

⚠ WARNING! Never attempt to use this product(s) without X-supports or any component of this tripod. Failure to follow these instructions may result in serious injury or death!

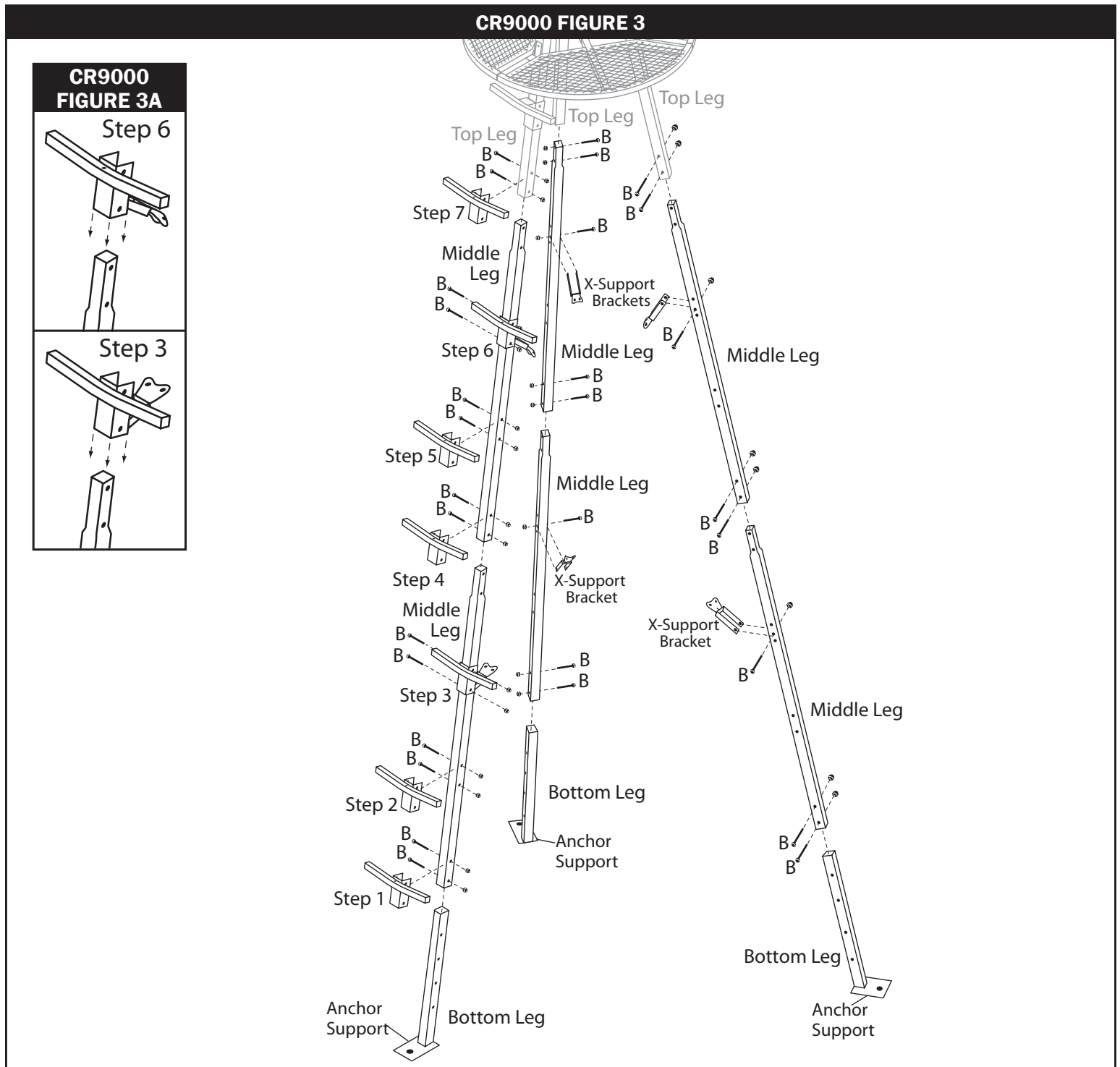
STEP 3. SECURELY TIGHTEN ALL NUTS AND BOLTS.

STEP 4. REQUIRES (THREE (3) TOTAL) ADULTS. Lift the platform and walk the tripod up until erect.

⚠ WARNING! Do not use this tripod on soft ground or during extremely windy weather conditions. Failure to follow these instructions may cause serious injury or death!

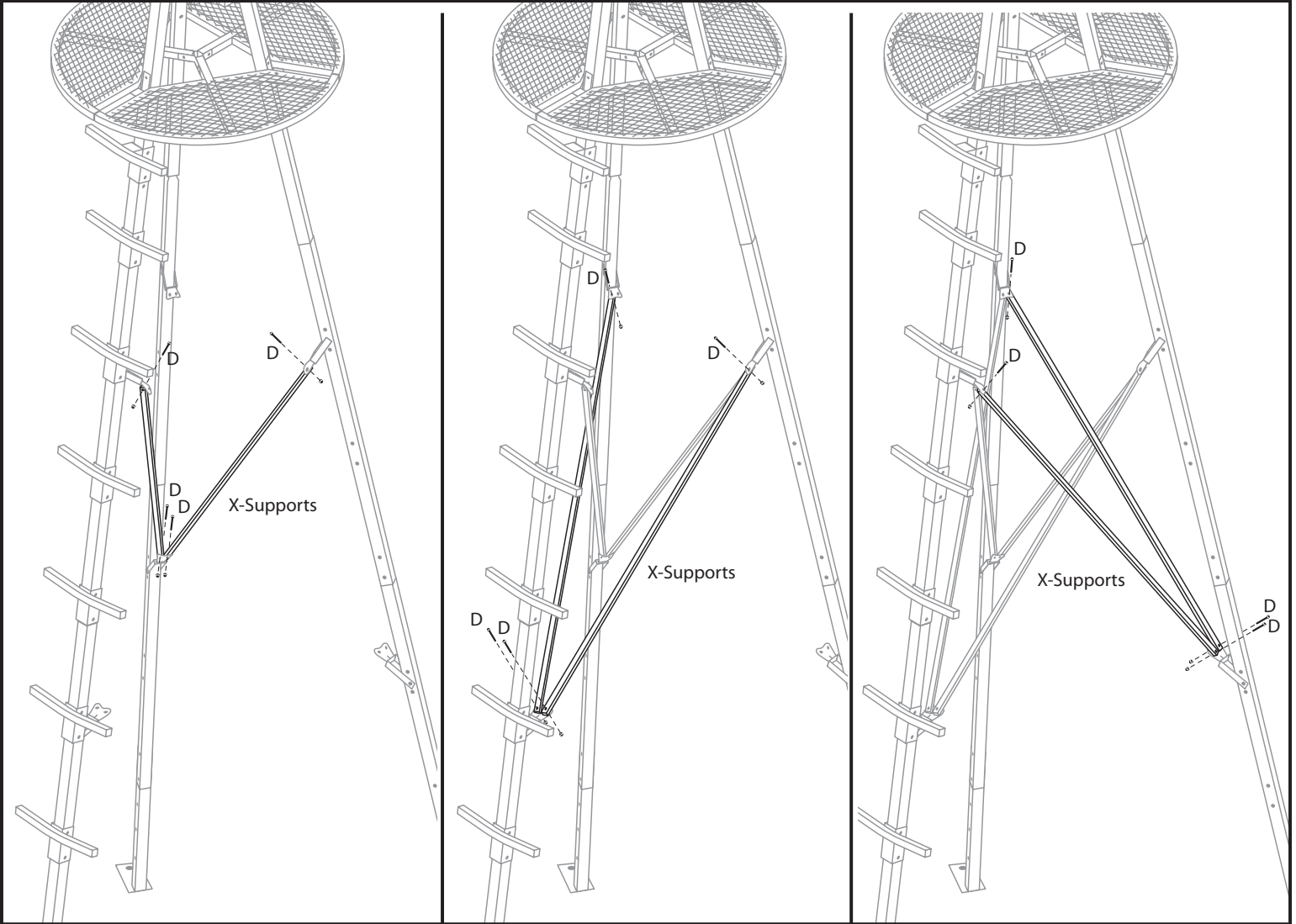
Your tripod is now ready for use. Refer to pages 8-9, **Field Installation**, for installation instructions.

CR9000 FIGURE 3

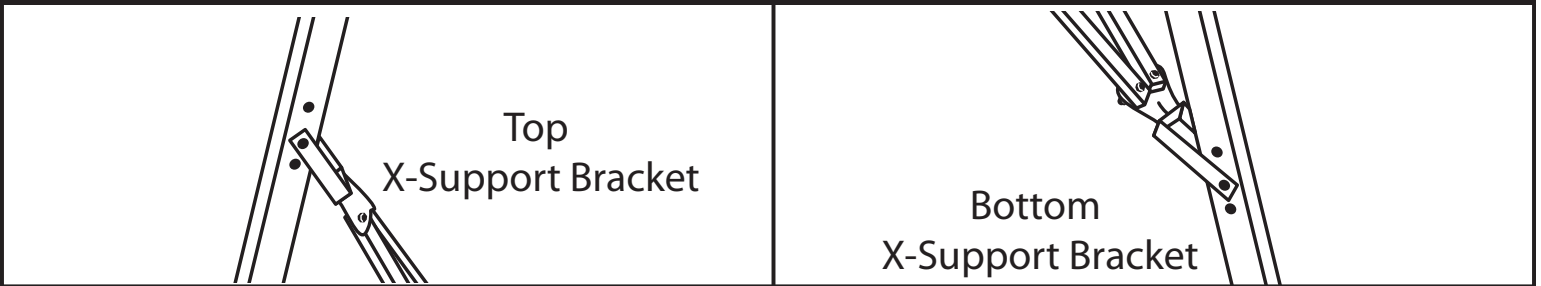


**ATTENTION!! WHEN YOU SEE A "⚠ WARNING!" BE SURE TO HEED THE MESSAGE!
THE INFORMATION CONTAINED IN THESE MESSAGES CAN SAVE YOUR LIFE!!**

CR9000 FIGURE 4



CR9000 FIGURE 4A



READ THIS MANUAL IN ITS ENTIRETY PRIOR TO USING THIS PRODUCT.

**ATTENTION!! WHEN YOU SEE A "⚠ WARNING!" BE SURE TO HEED THE MESSAGE!
THE INFORMATION CONTAINED IN THESE MESSAGES CAN SAVE YOUR LIFE!!**

FIELD INSTALLATION

Prior to using this stand you must also read and follow all Safety Warnings from pages 2-7 of this manual.

⚠ WARNING! Failure to read and strictly comply with the instructions contained in this Instruction Manual may result in serious injury or death!

⚠ WARNING! FALLS FROM A FREESTANDING PLATFORM TREESTAND SEAT CAN OCCUR ANYTIME AFTER LEAVING THE GROUND. THESE FALLS MAY RESULT IN SERIOUS INJURY OR DEATH! FOR YOUR PERSONAL SAFETY, PLEASE TAKE A MOMENT TO CAREFULLY READ THIS PRODUCT INSTRUCTION MANUAL IN ITS ENTIRETY BEFORE ATTEMPTING TO ASSEMBLE, SET-UP, INSTALL, REMOVE, AND/OR OTHERWISE USE THIS BIG GAME® PRODUCT(S). AT LEAST ANNUALLY, REVIEW THE CONTENTS OF THIS INSTRUCTION MANUAL. ADDITIONALLY, KEEP THESE INSTRUCTIONS FOR THE ENTIRE DURATION THAT YOU OWN THIS PRODUCT(S). FAILURE TO FOLLOW THESE INSTRUCTIONS MAY RESULT IN SERIOUS INJURY OR DEATH!

⚠ WARNING! THE SAFE USE AND OPERATION OF THIS PRODUCT(S) IS THE SOLE RESPONSIBILITY OF THE USER. IT IS ALSO THE SOLE RESPONSIBILITY OF THE OWNER TO PROVIDE ANY PERSON(S) WHO BORROW OR PURCHASE THIS PRODUCT(S) WITH THIS INSTRUCTION MANUAL. FAILURE TO FOLLOW THESE INSTRUCTIONS MAY RESULT IN SERIOUS INJURY OR DEATH! ADDITIONALLY, FAILURE TO FOLLOW THIS WARNING MAY SUBJECT YOU TO PERSONAL LIABILITY PENALTIES AS DETERMINED BY THE U.S. JUDICIAL SYSTEM.

⚠ WARNING! Several Big Game® tripods and quad-pods are equipped with a footrest, armrests, backrest and/or shooting rail. Neither the footrest, armrests, backrest nor the shooting rail have been designed to support the users weight. Under no circumstances shall you place any more than fifteen (15) pounds (7 kg) of weight on these structures. Doing so will put the user in serious risk of injury or death. Failure to follow these instructions may result in serious injury or death!

⚠ WARNING! DO NOT use this or any other Big Game® product(s) if you have a history of heart problems, back problems, impaired vision, joints that lock-up, spinal fusions, equilibrium problems, high blood pressure, are not well-rested and/or any other physical impairment that may limit your ability to use and/or operate this product(s) in the safe manner outlined in this Instruction Manual. Additionally, do not use this or any other Big Game® product(s) if you are currently taking medication (including prescription) and/or using and/or consuming any substance, including alcohol, that may limit your ability to use this Big Game® product(s) as outlined and described in the Instruction Manual. Never use a freestanding platform treestand when feeling ill, nauseous or dizzy. Failure to follow these instructions may result in serious injury or death!

⚠ WARNING! Do not remove, modify and/or omit any portion or otherwise mechanically modify this product(s) or its assemblies in any manner. Modification, misuse and/or part substitution shall immediately void your factory warranty and may result in serious injury or death! If you suspect that a part(s) is missing and/or defective, immediately contact Big Game® at (800) 268-5077 for replacement of missing or defective parts. **ALWAYS USE GENUINE FACTORY AUTHORIZED REPLACEMENT PARTS. USE OF ANY REPLACEMENT PARTS OTHER THAN GENUINE BIG GAME® PARTS VOIDS YOUR WARRANTY AND MAY RESULT IN SERIOUS INJURY OR DEATH!**

⚠ WARNING! Prior to each hunt, you must inform someone of your hunting location and the expected duration of your hunt. Failure to follow these instructions may result in serious injury or death!

⚠ WARNING! Prior to each hunt, make sure that you have a signaling device (e.g., mobile phone, radio, whistle, signal flare or Personal Locator Device (PLD)) in your possession and in an operable condition. This device must be within easy access shall you experience the need to contact emergency assistance. Failure to follow these instructions may result in serious injury or death!

⚠ WARNING! This product(s) is designed for adult use only. No one under the age of 16 shall attempt to use this or any other product(s) without direct adult supervision. Failure to follow these instructions may result in serious injury or death!

⚠ WARNING! NEVER hunt out of a freestanding platform treestand at heights at which you are not completely comfortable. Depending on the hunting conditions, choose the minimum hunting height that allows for safe, effective hunting. Failure to follow these instructions may result in serious injury or death!

⚠ WARNING! Strict weight limitations have been set for each product(s) to ensure your personal safety. Note the weight limitations of your freestanding platform treestand and that this weight limit includes the user(s) and their equipment. **NEVER EXCEED THESE WEIGHT LIMITATIONS!** Failure to follow these instructions may result in serious injury or death!

⚠ WARNING! DO NOT attempt to use this or any other Big Game® product(s) when ice, snow, and/or freezing rain has deposited or formed on any portion of the stand you intend to climb. Do not attempt to use this or any other Big Game® product(s) when thunderstorms are threatening and/or present within five (5) miles (8 km). Do not attempt to use this or any other product(s) when any other adverse weather condition presents itself. These include, but are not limited to, weather conditions which have the potential for producing winds, lightning, rain, snow, sleet and/or any other atmospheric condition which may limit the user's ability to operate this Big Game® product(s) in a safe manner as described in this Instruction Manual. Should inclement weather conditions arise during your use of this Big Game® product(s), return to the ground immediately. Failure to follow these instructions may result in serious injury or death!

⚠ WARNING! Never jump or bounce on a freestanding platform treestand seat. Failure to follow these instructions may result in serious injury or death!

⚠ WARNING! Never attempt to climb up or climb down with a weapon and/or gear in your possession. **ALWAYS** unload your weapon and pull it up to hunting height using a tether or pull up rope. **ALWAYS** lower your unloaded weapon down to the ground prior (when raising or lowering firearms, the chamber must be open and the barrel pointing downward toward the ground) to attempting to climb down. Use this same method when raising or lowering all other gear. Failure to follow these instructions may result in serious injury or death!

⚠ WARNING! Thoroughly inspect this product or any other Big Game® product(s) (and its components) prior to each use for signs of wear, rot, corrosion, cracks, deterioration and/or any other type of defect. **DO NOT** expose your freestanding platform treestand to extended exposure to direct sunlight, excessive heat or freezing temperature. Do not use your freestanding platform treestand or any other product(s) if they show evidence of wear, rot, corrosion, cracks, deterioration and/or any other type of defect. Failure to follow these instructions may result in serious injury or death!

⚠ WARNING! DO NOT modify, fix/repair, alter, bend, cut, weld, drill or heat this product(s) in any way. Failure to follow these instructions may result in serious injury or death!

⚠ WARNING! Replace any damaged or worn parts with original parts. Never store a freestanding platform treestand or any of its components outdoors when not in use. To purchase genuine factory parts contact Big Game® toll free at (800) 268-5077. Failure to follow these instructions may result in serious injury or death!

⚠ WARNING! Always wear the appropriate foot wear when using a freestanding platform treestand. A good non-slip safety boot is important to your personal safety. Be especially careful that boot laces do not get hooked on the freestanding platform treestand or its components (tuck shoelaces into boot before climbing). Failure to follow these instructions may result in serious injury or death!

ATTENTION!! WHEN YOU SEE A "⚠ WARNING!" BE SURE TO HEED THE MESSAGE! THE INFORMATION CONTAINED IN THESE MESSAGES CAN SAVE YOUR LIFE!!

⚠ WARNING! DO NOT erect this product(s) around power generation (transformers, generators, substations, etc.) and/or power transmission equipment (power lines). Failure to follow these instructions may result in serious injury or death!

⚠ WARNING! Do not attempt to make adjustments to this product(s) while on the freestanding platform treestand. All adjustments must be made with the entire freestanding platform treestand on the ground. Failure to follow these instructions may result in serious injury or death!

⚠ WARNING! Check the ground under your freestanding platform treestand to make sure it is firm and level. Sloping ground or uneven surfaces can cause your freestanding platform treestand to tilt or shift as you climb. Do not use a freestanding platform treestand when high winds are present or forecast. Failure to follow these instructions may result in serious injury or death!

⚠ WARNING! Never attempt to hunt from an unlevel platform. Additionally, never attempt to level your freestanding platform treestand at heights above the ground. If you find that your platform is unlevel, canted, angled awkwardly upward or downward, or in any configuration other than level, readjust your freestanding platform treestand as necessary to alleviate this awkward angle before leaving the ground and climbing into your freestanding platform treestand. Failure to follow these instructions may result in serious injury or death!

⚠ WARNING! BEFORE each use, make sure all nuts and bolts are secure. **CHECK** all hardware and webbing prior to every use to make sure that no damage has occurred to hardware and that webbing is not cut or frayed. Keep webbing from coming into contact with any sharp objects. **DO NOT USE THIS PRODUCT(S) IF ANY DAMAGE IS SUSPECTED.** Failure to follow these instructions may result in serious injury or death!

⚠ WARNING! Prior to climbing, make sure all legs, ladder or supporting sections are firmly connected and locked. Make certain that none of the sections have come loose or separated. If they are, **DO NOT USE THIS PRODUCT(S).** With the help of two (2) other adults (three (3) total) lower the freestanding platform treestand back down to the ground and secure the sections as appropriate and as outlined in this Manual. Failure to follow these instructions may result in serious injury or death!

⚠ WARNING! ALWAYS maintain three-point contact when climbing up or down. Proper three-point contact means having either two feet with one hand or one foot with two hands on the step portions at all times when climbing up or down. Failure to follow these instructions may result in serious injury or death!

Shall you have any questions about the assembly, installation or use of this product, or any other product, please do not hesitate to call one of our customer service representatives at (800) 268-5077 and they will answer all questions you may have about any of the complete line of products, or visit www.BigGameTreestands.com. Please have the batch/serial number ready (find your batch number on a riveted metal tag affixed to your product) before calling to better assist you.

INSTALLING YOUR FREESTANDING PLATFORM TREESTAND IN THE FIELD

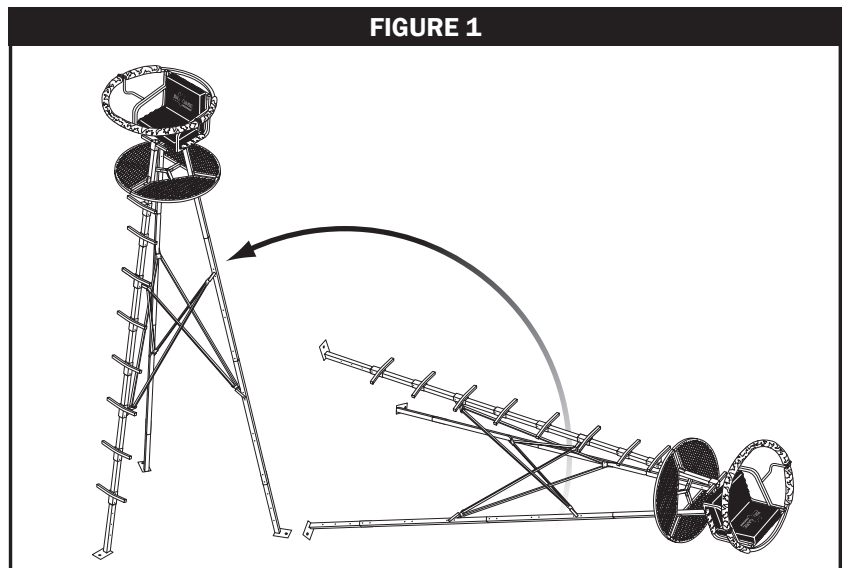
⚠ WARNING! Never attempt to hunt from an unlevel platform. Additionally, never attempt to level your freestanding platform treestand at heights above the ground. If you find your platform is unlevel, canted or angled awkwardly upward or downward, or in any configuration other than level, readjust your freestanding platform treestand as necessary to alleviate this awkward angle. Failure to follow these instructions may result in serious injury or death!

⚠ WARNING! You must have three (3) (total) adults to install or remove your freestanding platform treestand. Failure to follow these instructions may result in serious injury or death!

STEP 1. With the help of two (2) other adults, gently lift the platform of the freestanding platform treestand and walk it up until erect (Fig. 1).

STEP 2. Check to make sure the platform is on secure and level ground and the standing and seating platforms are level. If the platform is unlevel, adjust the bottom legs until the platform is level (as directed in these instructions). **NOTE:** Holes are provided in the feet to allow for staking (i.e., anchoring) to the ground for additional safety. Extreme precaution shall be used to ensure that the stand is stable prior to climbing. We suggest the use of (3) hammer in stakes as well as (3) auger style stakes, all sold separately.

⚠ WARNING! You must secure your freestanding platform treestand to preclude it from tipping or shifting during installation and/or use. Failure to follow these instructions may result in serious injury or death!



⚠ WARNING! Never attempt to level a platform by inserting, or using scrap lumber, rocks, tree limbs or branches, cardboard, or any other material(s). Under no circumstances shall you attempt to level your platform in a manner other than described in this Instruction Manual. Failure to follow these instructions will result in serious injury or death!

REMOVING YOUR FREESTANDING PLATFORM TREESTAND FROM THE FIELD

⚠ WARNING! You must have three (3) adults to install or remove your freestanding platform treestand. Failure to follow these instructions may result in serious injury or death!

STEP 1. With the help of two (2) other adults (three (3) total) slowly tip the freestanding platform treestand and walk it down to the ground.

READ THIS MANUAL IN ITS ENTIRETY PRIOR TO USING THIS PRODUCT.

NOTES

ATTENTION!! WHEN YOU SEE A "⚠ WARNING!" BE SURE TO HEED THE MESSAGE! THE INFORMATION CONTAINED IN THESE MESSAGES CAN SAVE YOUR LIFE!!

STANDARD LIMITED WARRANTY

Warranty: BGHA, Inc. warrants all Big Game® Hunting Accessories treestands or climbing system products to be free from defects in material and workmanship for a period of twelve months from the original date of retail purchase. BGHA, Inc. warrants the enclosed hardware (where applicable) is delivered to be free from physical defects for a period of twelve months from the original date of retail purchase.

Repair Procedures, Exclusive Remedy: BGHA, Inc. will at its option, repair, or replace products not conforming to this limited warranty at no charge. THIS IS THE SOLE AND EXCLUSIVE REMEDY AVAILABLE FOR BREACH OF WARRANTY OR UNDER ANY OTHER LEGAL THEORY WITH RESPECT TO BIG GAME® HUNTING ACCESSORIES PRODUCTS. If you find a product to be defective, contact the customer service department at (800) 268-5077. When you receive authorization, return the product as directed at your expense. Product repairs not covered by warranty, and product updates, will be provided at a set rate.

Limitations: This warranty is void if the product is damaged by improper or abnormal use or by accident; if the product is altered or modified in any way other than those directed by official Big Game® Hunting Accessories instructions; or if any attempt is made to repair the product without authorization from BGHA, Inc. It is solely the purchaser's responsibility to determine the suitability of these products for each particular application. Big Game® Hunting Accessories products are intended for hunting and hunting only. Big Game® Hunting Accessories are in all events not suitable, and are not authorized, for use in any situations that might pose potentially injurious to life and health, other than those situations that the products are intended for. This warranty is not assignable or transferable.

No Other Warranties: EXCEPT AS PROVIDED IN THIS LIMITED WARRANTY SET FORTH IN THE WARRANTY CARD SUPPLIED WITH BIG GAME® HUNTING ACCESSORIES AND INSTRUCTION SHEETS ARE PROVIDED "AS IS". ALL OTHER WARRANTIES AND REPRESENTATIONS, ORAL OR WRITTEN, EXPRESSED OR IMPLIED, INCLUDING BUT NOT LIMITED TO ANY IMPLIED WARRANTIES OF MERCHANTABILITY OR FITNESS FOR A PARTICULAR PURPOSE, ARE EXCLUDED AND DO NOT APPLY. THERE ARE NO WARRANTIES WHICH EXTEND BEYOND THE DESCRIPTION ON THE FACE HERE OF. Except as required by law, no representative, agent or employee of BGHA, Inc. is authorized to make warranties, representations, or obligations inconsistent with or in addition to those set forth in this limited warranty.

No Damages: In no event will BGHA, Inc. be liable for direct, indirect, special, incidental, or consequential damages resulting from breach of warranty or under any other legal theory, even if advised of the possibility of such damages. In no event will BGHA, Inc. be liable for sums in excess of the purchase price of the product. BGHA, Inc. is thus not liable for lost profits or goodwill; downtime; damage or destruction of items or equipment used with, or in conjunction with, BGHA, Inc.; personal injury or loss; or any other damages.

General: (a) This agreement is the entire agreement between you and BGHA, Inc.; supersedes any prior or different agreements, representations, or proposals; and may be changed only by written agreement with BGHA, Inc. (b) Waiver by any party of any default or breach of this agreement will not constitute a waiver of any subsequent default or breach of the same of different kind. (c) The invalidity of any provision of this agreement shall not affect the validity of the other provisions hereof. (d) This agreement shall be governed by the laws of the State of Minnesota, U.S.A.

BGHA, Inc., PO Box 382, Windom, Minnesota 56101

REGISTRATION INFORMATION

Although Big Game® Treestands are manufactured with the highest standards, regular maintenance is required for the upkeep of your product. Regular maintenance is the responsibility of the consumer; we recommend that you replace all strap assemblies and cam-buckle straps for your freestanding platform treestand at least annually, cables and ALL hardware every three years. If at anytime there is a defect with any part of your freestanding platform treestand, we insist that you replace the part prior to using the stand. Improper or incorrectly performed maintenance or repair, including the use of unauthorized replacement parts, will void all warranties.

Replacement parts may be ordered on our website at www.BigGameTreestands.com or by calling our customer service department at (800) 268-5077.

OWNER'S RECORD

Product Name _____

Model Number _____

Serial/Batch number _____

(Find your Batch number on a riveted metal tag affixed to your product)

Purchased From _____

Purchased Date _____

YOU MUST RETURN THE COMPLETED REGISTRATION CARD ABOVE WITHIN (30) DAYS OF THE PURCHASE IN ORDER TO ACTIVATE THE LIMITED WARRANTY COVERAGE.

(Make sure to include date purchased on the card!)

To activate your product's warranty, please mail in your registration card or submit it online at www.BigGameTreestands.com

PRODUCT REGISTRATION

Product Purchased _____ Model Number _____

Serial/Batch Number _____

Owner's Name _____

Street Address _____

City _____ State _____ Zip Code _____

E-mail Address _____ Phone _____

Owners Age (optional) _____ Gender (optional) M F

Date Purchased _____

Purchased From (Dealer Name) _____

How did you hear about us: ___ Catalog ___ Webpage ___ Friend ___ Magazine

Other, Please Explain _____

Are you a: ___ Bow Hunter ___ Gun Hunter ___ Both

Treestand Preference: ___ Fixed Position ___ Climbing ___ Ladderstand

Other: _____

READ THIS MANUAL IN ITS ENTIRETY PRIOR TO USING THIS PRODUCT.

